



# VCXO Through Hole Type

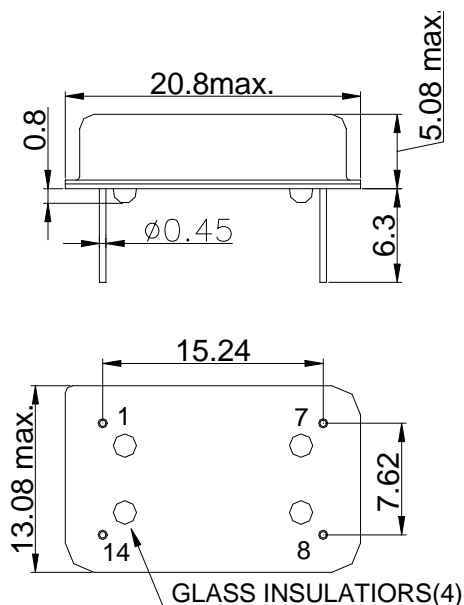
Date: Mar.29,2006

No.: VA0133K20A14125M

## Electrical Specifications

1. Standard Frequency	: 125.000 MHz
2. Frequency Tolerance (at 25°C ±2°C) at C/V 1.50Vdc	: +/-20ppm ppm
3. Frequency Stability	: +/-10ppm
4. Input Voltage	: 3.30Vdc +/-0.16 Vdc
5. Input Current	: 65 mA Max
6. Output Level	:
6-1 "0" Level	: 0.33 Vdc Max
6-2 "1" Level	: 2.97 Vdc Min
7. Output Load	: 15pF
8. Rise/Fall Time	: 10 nS Max
9. Symmetry (at 1.50 Vdc)	: 40/60
10. Frequency Deviation	+/-100~+/-200ppm
11. Control Voltage	0.00 Vdc ~ 3.00 Vdc
12. Linearity	: +/-10% Max
13. Operation Temperature Range	: 0°C to 70°C
14. Storage Temperature Range	: -40°C to 85°C

## Package and Pins Configuration



- #1 C/V
- #4 GND
- #5 OUTPUT
- #8 Vcc